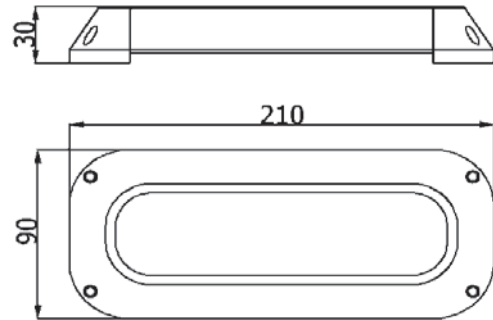


180W LED Underwater Boat Light

PB180



L210 x W90 x H25MM

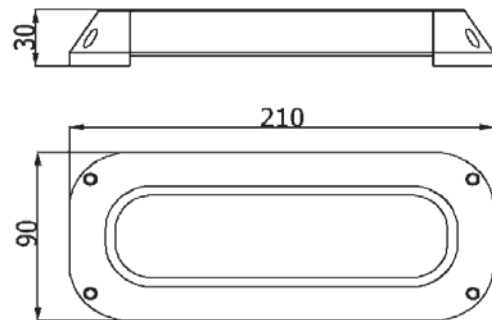
■ Main Features:

1. Made of 316L stainless Steel has excellent corrosion-proof
2. Waterproof: IP68
3. Low power consumption, high efficiency
4. CE and RoHS approved
5. Every light comes with 2M cable, 4 M4 screws and 1 fast fuse
6. Built-in driver
7. Easy to Install

Power (W)	Emitting color	Chips Brand	Working Current	Input voltage	Wavelength (nm)	Total Lumens (LM)	Beam Angle
36x5	White	CREE	10A/5A	DC12V / DC24V	--	15000-16000	120°
	Red				630	6000-6500	
	Green				520	9000-9500	
	Blue				460	2500-3000	
	RGB				--	4000-4500	
	RGBW				--	4500-5000	

270W LED Underwater Boat Light

PB270



L210 x W90 x H25MM

■ Main Features:

1. Made of 316L stainless Steel has excellent corrosion-proof
2. Waterproof: IP68
3. Low power consumption, high efficiency
4. CE and RoHS approved
5. Every light comes with 2M cable, 4 M4 screws and 1 fast fuse
6. Built-in driver
7. Easy to Install

Power (W)	Emitting color	Chips Brand	Working Current	Input voltage	Wavelength (nm)	Total Lumens (LM)	Beam Angle
96x3	White	CREE	14A/7A	DC12 /DC24V	--	19000-20000	120°
	Red				630	8000-8500	
	Green				520	10000-11000	
	Blue				460	4000-4500	
	RGB				--	8000-9000	
27x10	RGBW				--	9000-9500	